

Installation instructions for PZ4AL-01871-00



Under Run Protective Shield Engine Bay

TOYOTA LC 200

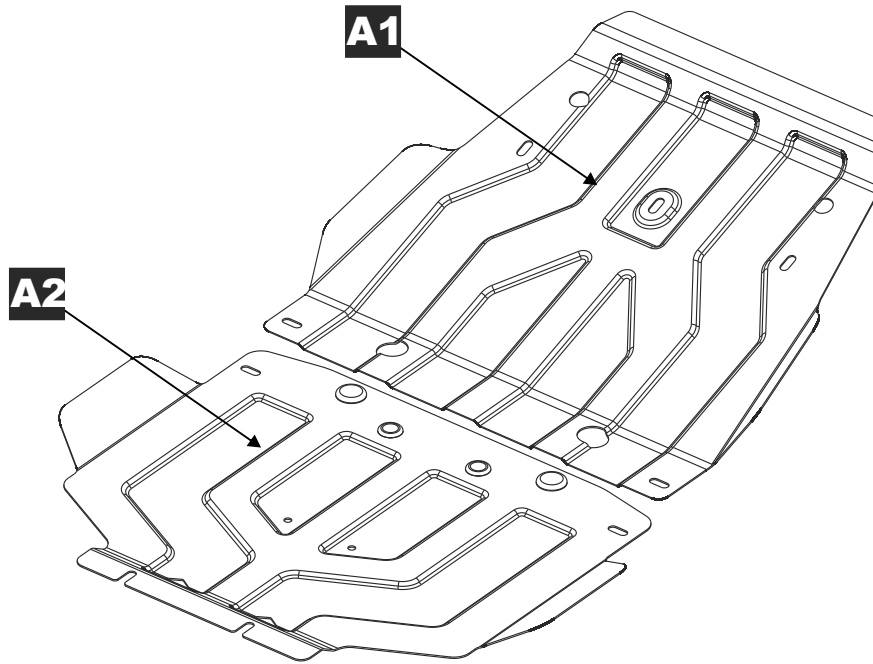


LEXUS LX



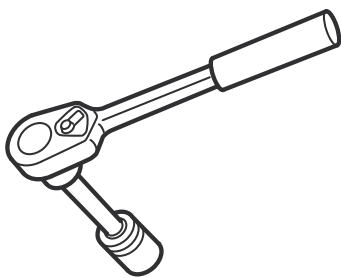
	LC 200	LX 570
Model year:	2008 - 10.2015	2012 - 10.2015
Applicability:	UZJ200L-GNAEKW VDJ200L-GNTEZW VDJ200L-GMTVZW URJ202L-GNTEKW VDJ200L-GNTEZW	URJ201L-GNTGKW
Part Number:		Steel: PZ4AL-1871-00
 Weight:		11.00 kg
 Installation Time:		30 min
Manual reference number		AIM 002 - 065

PZ4AL-01871-00



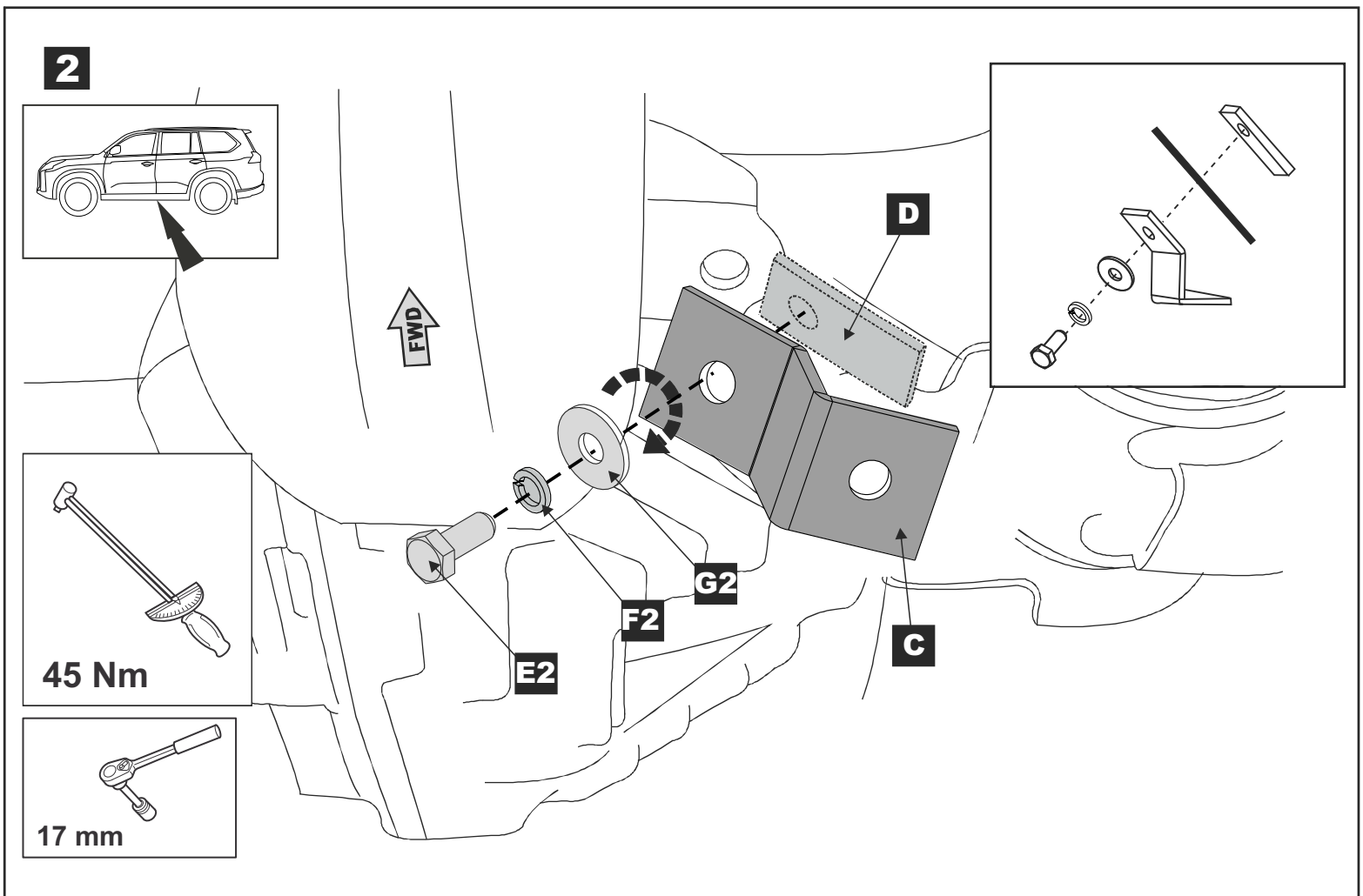
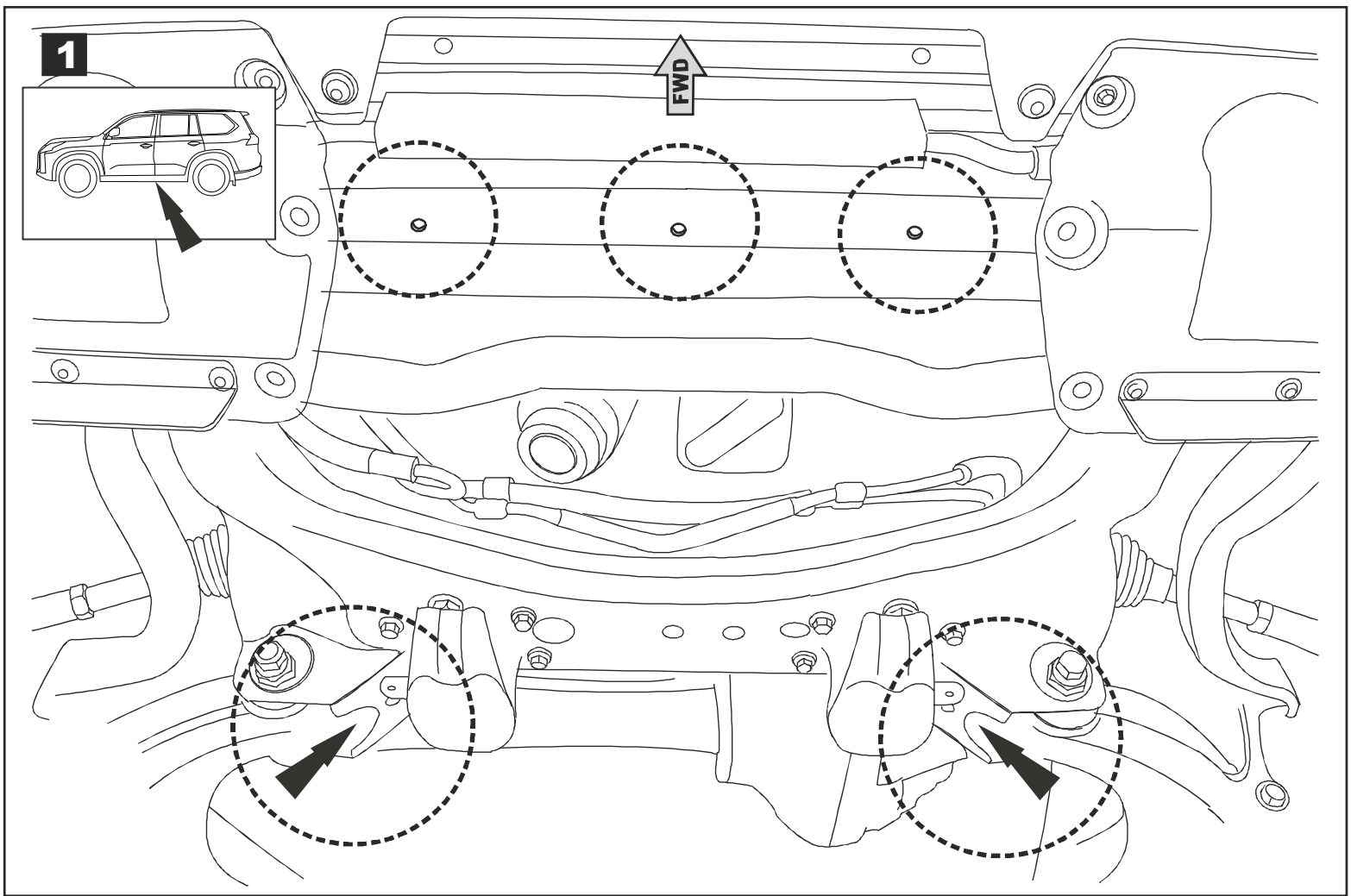
PZ4AL-01871-60

<p>B</p> <p>1x</p>	<p>C</p> <p>2x</p>	<p>D</p> <p>2x</p>	<p>E1</p> <p>M8x20</p> <p>2x</p>	<p>E2</p> <p>M10x20</p> <p>5x</p>	
<p>E3</p> <p>M10x30</p> <p>2x</p>	<p>E4</p> <p>M10x1,25x30</p> <p>2x</p>	<p>F1</p> <p>d=8</p> <p>2x</p>	<p>F2</p> <p>d=10</p> <p>9x</p>	<p>G1</p> <p>d=8</p> <p>2x</p>	<p>G2</p> <p>d=10</p> <p>9x</p>

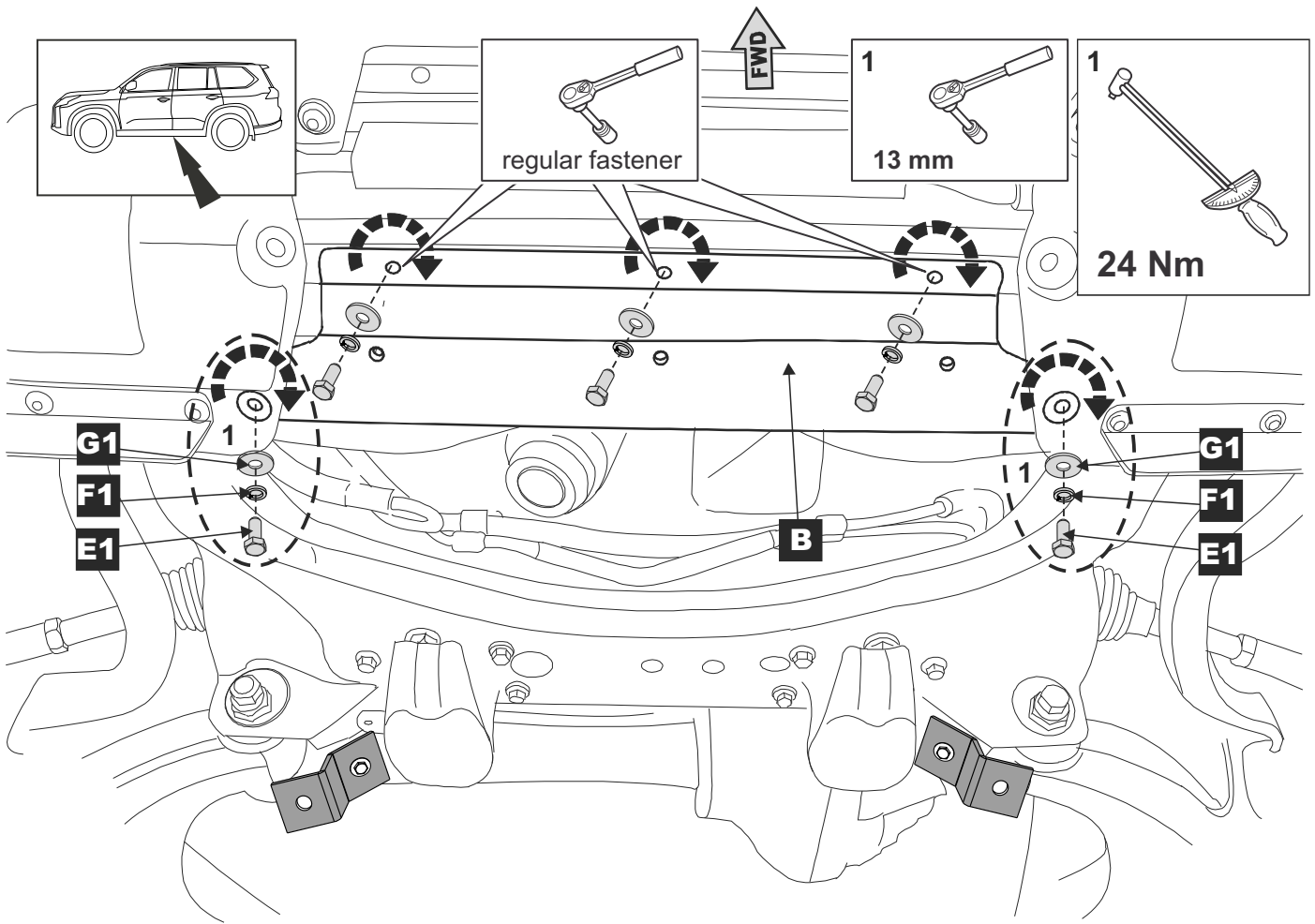


13 mm
17 mm





3



4

